



PODUZEĆE ZA PRERADU ALUMINIJA

PROFILI OPĆE NAMJENE

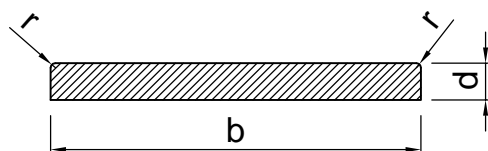




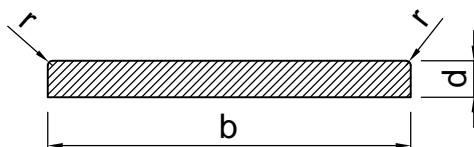
## Sadržaj:

Plosni profili .....	01
Puni kvadratni profili.....	03
Puni okrugli profili.....	04
L profili.....	05
T profili.....	09
U profili.....	10
Okrugle cijevi.....	12
Pravokutne cijevi.....	14
Kvadratne cijevi.....	17

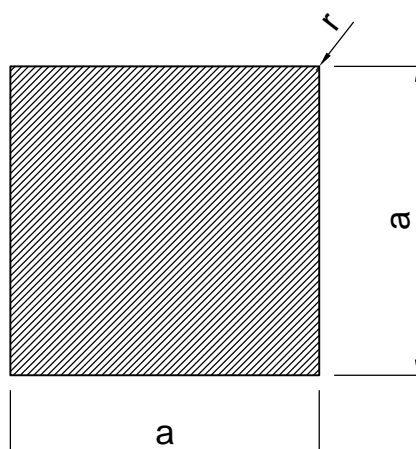




Oznaka profila	Dimenzije / b x d / mm	Teoretska težina kg/m	Napomena mm
NP-2168	10x5	0.135	r=0.2
F 1077	10x10	0.27	
NP-2356	12x3	0.097	r=0.3
NP-072	12.4x12	0.399	r=1
F-1340	17x15	0.689	
F 004/A	18x3	0.145	
F 0004	20x2	0.108	
F 0295	20x3	0.162	
NP-2188	20x4	0.216	
F 0160	20x5	0.270	r =0.2
F 0223	20x6	0.324	
NP-3308	20x8	0.432	r=0.3
F 0157	20x10	0.540	r =0.2
F-1375	20x12	0,648	r=0.3
NP-827	20x14	0.74	r=3
F 0127	25x2.5	0.168	
F 0222	25x4	0.270	
NP-2181	25x8	0.54	r=0.3
F 0942	25x10	0.674	r =0.25
F 0561	26x10	0.702	
F 0162	30x3	0.242	r =0.2
F 0225	30x4	0.324	
F 0161	30x5	0.405	r =0.2
F 0469	30x6	0.485	r =0.6
F 0517	30x8	0.648	
NP-3309	30x10	0.81	r=0.3
F 0370	32x16	1.382	
F-1535	30x20	1.62	
F 0739	32x20	1.727	r =0.5
F 0005/A	33x3	0.267	r=1.5
F-1431	35x8	0,756	r=0.3
F 1207	37x22	2.198	
F 0190	40x4	0.432	
F 0487	40x8	0.864	
F 1017	40x10	1.08	
F 0288	44x4	0.475	r =0.2
F-1442	50x1	0,1349	
F-1443	50x2	0,270	
F 0559	50x2.5	0.337	
F 0938	50x5	0.67	
F 0954	50x6	0.81	
F 0943	50x8	1.08	r=0.25



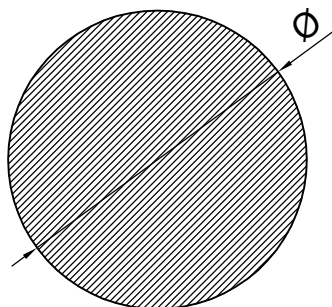
Oznaka profila	Dimenzi / b x d / mm	Teoretska težina kg/m	Napomena mm
F-1075	50x10	1.35	
F-0124	50x20	2.70	
F-0491	50x30	4.050	
F-1557	54x10	1.46	r=0.2
NP-3362	59x4	0.637	r=0.3
F-1106	60x2	0.324	
F-1074	60x4	0.648	
F-0224	60x10	1.620	
F-0488	70x3	0.567	
F-1242	70x5	0.945	
Flah 70x25	70x25	4.725	
F-1076	80x15	3.24	
F-0159	80x10	2.160	r =0.2
061 046	80x4	0.864	
NP-469	83.2x3	0.674	
F-0368	83.5x26	5.860	r =1.0
F-1024	85x5	1.147	
F 1023	90x5	1.215	
F 0391	90x8	1.944	
F 0704	95x5	1.283	
NP-979	100x2	0.539	r=0.5
F 1022	100x5	1.35	
F 0158	100x10	2.70	r =0.2
F 0158/A	100x15	4.05	
F 1021	105x5	1.417	
F 1078	110x5	1.485	
F 1020	120x5	1.62	
F-0226	120x8	2.592	
F-0221	120x10	3x240	
F 1073	140x5	1.89	
NP-3621	180x10	4.86	r=0.5
F 1019	220x5	2.97	
F 1000	250x3	2.03	
F 1001	250x10	6.75	
NP-577	250x18	12.15	r=1
NP-576	250x22	14.85	r=1
F-1224	270x8	5.832	



Oznaka profila	Dimenzija / a / mm	Teoretska težina kg/m	Napomena mm
NP-447	7	0.127	r=1/45°
F 0389	40	4.320	
NP-955	40	4.299	r=3
F 0342	45	5.467	
F 0390	60	9.720	
F 0344	63.5	10.887	

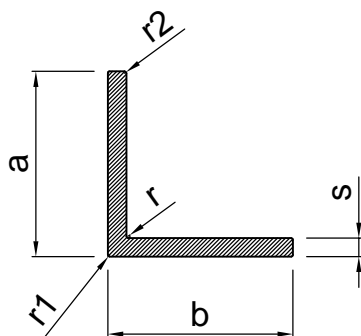




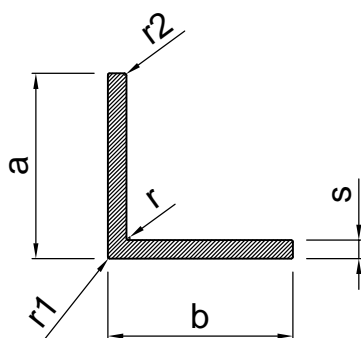


Oznaka profila	Dimenzija / Ø / mm	Teoretska težina kg/m	Napomena mm
F 0021	6	0.076	
F 0022	8	0.135	
F 0099	9.7	0.200	
F 0023	10	0.212	
F 0024	12	0.305	
F 0348	15	0.477	
F 0405	20	0.848	
F 0349	24	1.221	
F 0343	25	1.325	
F 0346	32	2.171	
F 0347	40	3.393	
F 0350	50	5.300	
F 0404	60	7.634	

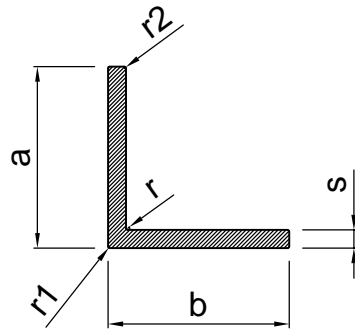




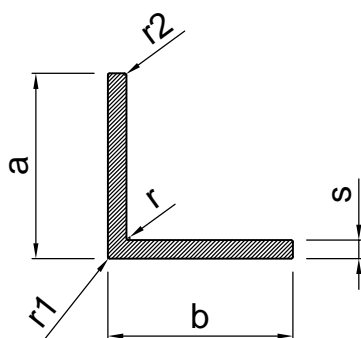
Oznaka profila	Dimenzija / a x b x s/ mm	Teoretska težina kg/m	Napomena mm
F 0047	10x10x1.8	0.088	r=r <sub>2</sub> =0.3
NP-2686	15x8x2	0.113	r=r <sub>1</sub> =0.3
F 0045	15x10x1.5	0.094	r=r <sub>2</sub> =1.5
F 0006	15x15x1.5	0.115	
F 0008	15x15x2	0.151	
F 1086	20x15x2	0.178	
F 0164	20x20x1.5	0.156	r <sub>1</sub> =r <sub>2</sub> =0.2
F 0254	20x10x1.8	0.137	
F 0010	20x20x2	0.205	
F 1047	20x20x3	0.299	
F 0341	25x15x2	0.205	
F 0011	25x25x2	0.260	
F 0012	25x25x3	0.381	
F 0219	25x25x3	0.381	r=r <sub>2</sub> =0.2
F 0500	30x10x3	0.300	
F 0171	30x15x2	0.232	r=r <sub>2</sub> =0.2
F 0013	30x20x2	0.260	
F-1370	30x20x2.5	0,32	
F 0167	30x30x2	0.313	r <sub>1</sub> =r <sub>2</sub> =0.2
F 0046	30x30x3	0.456	r=3
F-1348	30x90x2	0,64	
NP-3604	35x15x2.5	0.32	



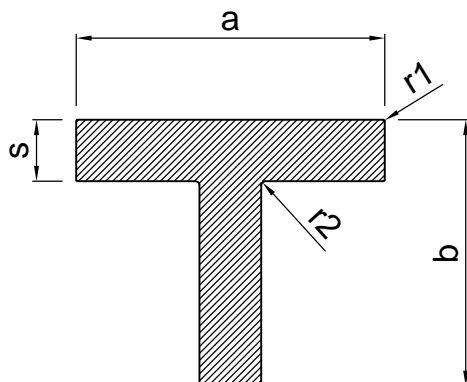
Oznaka profila	Dimenzija / a x b x s/ mm	Teoretska težina kg/m	Napomena mm
NP-2662	35x30x3	0.502	
NP-642	39x37x4	0.782	r=4, r <sub>2</sub> =3.5
F 0169	40x20x2	0.313	
F 0015	40x20x3	0.462	
F 0016	40x20x4	0.605	
F 0955	40x20x5	0.743	
NP-935	40x30x4	0.713	
F 0210	40x40x2	0.421	
F 0447	40x40x3	0.624	
F 0448	40x40x4	0.821	
F 0925	40x50x2	0.475	
SR-30	47.5x15x1.2/1	0.2	r=r <sub>2</sub> =0, .25
F 0163	50x20x2	0.367	r=r <sub>2</sub> =0.2
F 1046	50x20x3	0.542	
F 0490	50x25x2	0.394	
F 1048	50x30x2	0.421	
F 1045	50x30x3	0.623	
F 1085	50x45x5	1.215	
F 0166	50x50x2	0.529	
F 0924	50x50x3	0.786	
F 0449	50x50x5	1.283	
F 0975	50x50x8	1.987	
SR-50	57.5x15x1.2/1	0.224	
F-0340	60x15x2	0,394	



Oznaka profila	Dimenzija / a x b x s/ mm	Teoretska težina kg/m	Napomena mm
F 0170	60x20x2	0.421	r=0.2
F 0501	60x30x3	0.705	
F-1635	60x30x5	1.147	r=0.2
F-1171	60x40x4	1.037	
F 0463	60x40x5	1.283	
F 0974	60x40x6	1.523	
F 0973	60x60x4	1.253	
F 0915	60x60x2	0.63	
F 0963	60x60x5	1.553	
NP-358	70x7x1.5	0.31	r=0.3
F 0502	70x40x2	0.583	
F-1172	70x40x5	1.418	
F-1173	70x40x6	1.685	
F 0098	70x70x8.15	2.862	r <sub>1</sub> =2; r <sub>2</sub> =4
F 0508	75x50x5	1.620	
NP-1218	80x25x3	0.826	
NP-2654	80x37x3	0.923	r=r <sub>1</sub> =r <sub>2</sub> =0.5
F 1099	80x40x8	2.42	
F 0916	80x80x3	1.27	
NP-2169	80x80x8	3.283	r=0.5
Profil 2	87x80x4	1.76	r=1 ; r <sub>1</sub> =r <sub>2</sub> =0.5
NP-425	90x60x4	1.577	
F-1117	100x40x4	1.469	
F 0506	100x40x5	1.822	
F 0506/A	100x45x5	1.890	
F 1044	100x50x5	1.95	



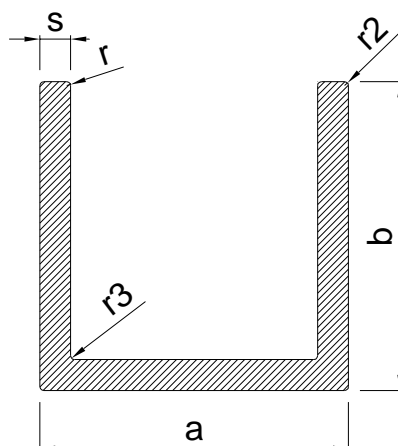
Oznaka profila	Dimenzija / a x b x s/ mm	Teoretska težina kg/m	Napomena mm
F 0498	100x64x8	3.369	
F 1043	100x100x5	2.63	
NP-467	102x11x3	0.891	r=0,3
F-1376	110x30x2	0,75	r=0,3
NP-426	110x60x4	1.793	
F-1329	110x150x1.8	1.255	
NP-277	120x50x3	1.35	r=0.3
F 1042	120x50x5	2.22	
NP-2642	120x70x8	3.931	r=0.5
F-0956	120x80x3	1,596	
F-0499	125x80x8	4.25	
NP-2664	126x45x5	2.24	r=r <sub>1</sub> =r <sub>2</sub> =0.5
NP-2663	126x50x8	3.628	r=r <sub>1</sub> =r <sub>2</sub> =0.5
NP-2651	140x60x5	2.632	r=r <sub>1</sub> =r <sub>2</sub> =0.5
F-1371	140x140x8	5,875	
NP-210	150x60x5	2.75	
NP-3119	150x100x10	6.48	r=r <sub>1</sub> =r <sub>2</sub> =0.5
NP-1642	160x80x5	3.172	r=0.5
NP-2641	180x30x3	1.676	r=0.5
NP-2652	180x170x8	8.315	r=r <sub>1</sub> =r <sub>2</sub> =0.5
NP-3175	250x100x10	9.183	r=2/45° r <sub>1</sub> =r <sub>2</sub> =1/45°
NP-2644	319x60x5	5.048	r=r <sub>1</sub> =r <sub>2</sub> =0.5



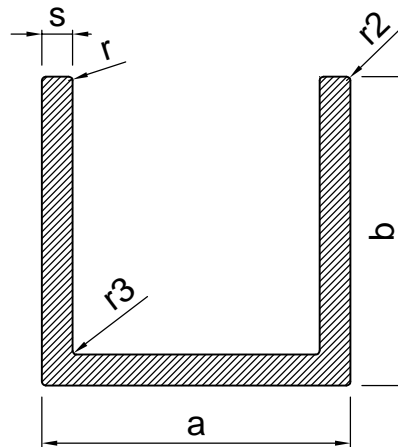
Oznaka profila	Dimenzija axbxs mm	Teoretska težina kg/m	Napomena mm
NP-217	17.8x46.2x1.2	0.203	$r_2=0.5; r_1=0.3$
F 0017	20x20x2	0.205	
F 0078	25x25x2	0.26	$r_1=1; r_2=2$
F 0253	20x40x1.8	0.283	
T 30x10	30x10x4	0.39	
F 0209	30x30x2	0.313	
F 0196	40x40x2	0.421	
F 0926	40x120x2	0.85	
F 0509	50x50x3	0.786	
F-1234	50x60x3	0.867	
NP-898	60x60x6	1.85	$r_1=r_2=0.3$
NP-2734	80x60x3	1.109	
NP-278	100x60x2.5	1.06	$r_1=0.3$
NP-499	120x60x2.5	1.198	
F-1169	144x130x5	3.63	$r_1=1; r_2=2$



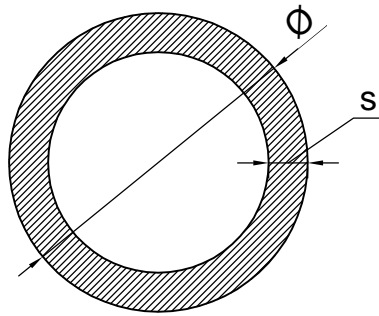




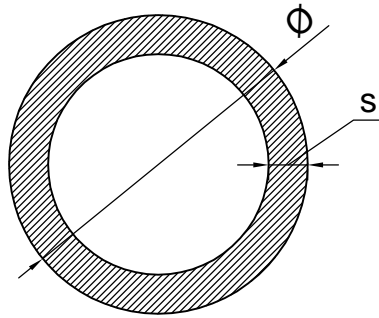
Oznaka profila	Dimenzija / b x a x b x s/ mm	Teoretska težina kg/m	Napomena mm
F 0354	6.5x13.5x6.5x1.5	0.096	$r_1 = r_3 = 0.25$
F-1351	10x20x10x2	0.195	
NP-138	13x8.4x13x1.2/1.5	0.11	$r_3 = 0.3$
NP-2727	14x25x14x2.5	0.324	$r_3 = 6$
F 0137/A	15x11x15x1.5	0.153	$r_1 = r_2 = r_3 = 0.3; r = 0.75$
F 0137	15x10.8x15x1.2	0.124	$r = r_2 = r_3 = 0.2; r_1 = 1$
F 0018	15x15x15x2	0.221	$r_1 = 0.5$
21-34/TŽ	18x25x10x2	0.265	
NP-168	20x19.4x20x1.2	0.181	$r_2 = 1.2/45^\circ$
F 0019	20x20x20x2	0.300	$r_1 = 0.5$
F 0220	20x20x20x2	0.310	
F 0503	20x30x20x2	0.356	
F 0474	20x30x20x3	0.518	
F 0477	20x40x20x3	0.51	
F 0939	20x40x20x3	0.6	
F 0020	20x50x20x2.5	0.573	$r_1 = 0.5$
F 0208	20x55x20x2	0.491	
F 0412	20x60x20x1.5	0.393	
F 0387	20x100x20x1.5	0.554	
NP-252	25x16.1x25x1.8	0.30	$r_1 = r_2 = 0.8$
NP-828	25x20.5x25x3	0.51	$r_1 = 0.3, r_3 = 1$
F 0043	25x59x25x2	0.564	$r = 1.5$
NP-653	27x20x30x3	0.545	$r_3 = 2, r_2 = 2/5(2/8)$
F 1195	28x30x28x1	0.249	
F 0944	30x30x30x2	0.464	$r_1 = 0.25$
F 0172	30x45x30x2	0.54	$r_1 = 0.2$
F 0510	30x50x30x4	1.100	
F 0207	30x60x30x2	0.626	
F 0444	30x75x30x4	1.382	$r_3 = 0.4$
F-1372	32x25x32x2	0.459	



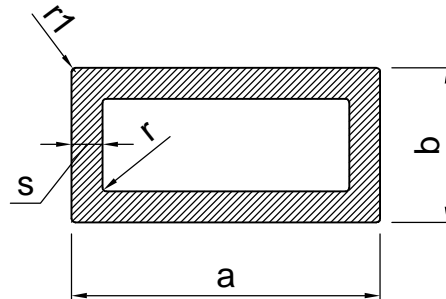
Oznaka profila	Dimenzija / b x a x b x s/ mm	Teoretska težina kg/m	Napomena mm
NP-119	32.2x19.4x1.2	0.260	$r_2 = 1.2/45^\circ$
F 0083	40x20x40x2	0.518	$r_1 = r_3 = 0.5$
F 0957	40x20x40x2.5	0.641	
F 0141	40x30x40x3	0.761	$r_3 = 0.2$
F 0476	40x40x40x4	1.210	
F 0787	40x50x40x2	0.680	
F 0173	40x55x40x1.5	0.534	$r_1 = 0.2$
NP-500	40x60x40x4	1.426	
NP-3497	40x120x40x3	1.571	
NP-248	40x150x40x3	1.815	
F 0439	50x76x50x1.5	0.699	
F-1438	50x50x50x2.8	1.098	$r = r_1 = r_2 = r_3 = 0.25$
F 1056	50x50x50x4	1.534	
F 1055	50x50x50x5	1.89	
F 1054	50x80x50x5	2.295	
F 1060	50x90x50x3	1.49	
NP-890	50x90x50x5	2.45	$r_3 = 4 \quad r = r_1 = r_2 = 0.7$
F-1053	50x100x50x5	2.565	
F 1052	50x150x50x5	3.24	
F 0044	55x59x55x2	0.889	$r = 1.5$
F 0958	60x60x60x3	1.41	
NP-723	60x80x60x5	2.565	
NP-885	60x150x60x5/4/5	3.17	
F 0585	65x140x65x8	5.490	
NP-722	70x97x70x8	4.773	
NP-984	79x120x79x8/10/8	6.19	$r_1 = 5$
F 1058	80x80x80x3	1.895	
F 1057	80x100x80x3	2.057	
F 1051	120x150x120x5	5.13	



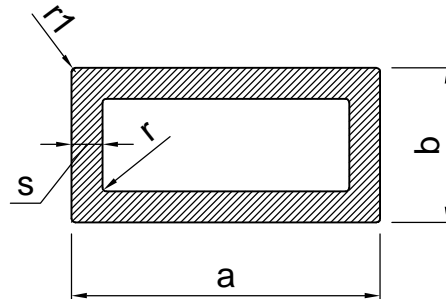
Oznaka profila	Dimenzija / $\varnothing$ x s / mm	Teoretska težina kg/m	Napomena mm
NP-1002	8x1	0.059	
610701200	11x1	0.085	
NP-670	12x2.5	0.201	
NP-669	13x3.25	0.269	
NP-055	15x1.5	0.171	
NP-034	16.6x1.3	0.169	
NP-1731	16.6x3	0.346	
NP-1742	16.6x3.3	0.372	
NP-1733	16.6x6.05	0.542	
NP-1734	16.6x5,5	0.518	
F 0205	20x1.5	0.235	
F 0218	20x2	0.305	
F 0093	22x1.2	0.220	
F 0328	22x2	0.34	
NP-2442	23.5x1	0.191	
F 0486	25x2.5	0.480	
NP-2443	27x1	0.221	
065544	27x3	0.610	
F 0571	28x2	0.441	
F 0961	30x2	0.472	
F 1111	30x3	0.687	
F 0504	32x1.5	0.388	
F 0094	32x3	0.737	
F 0204/A	35x1.5	0.430	
F 0204	35x2	0.560	
F 0329	38x2	0.610	
F 0351	38x3	0.890	
F 0922	40x2	0.645	
NP-639	40x7.1	1.981	
NP-640	40x8.7	2.310	
NP-317	40x10	2.543	
NP-953	40.4x1.2	0.399	
F 0446	45x3	1.068	



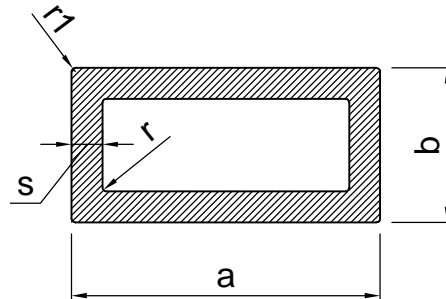
Oznaka profila	Dimenzija / $\Phi \times s$ / mm	Teoretska težina kg/m	Napomena mm
NP-158	48x3	1.145	
F-0914	50x2	0.8	
F-1230	54.5x2	0.891	
NP-532	58.3x1.5	0.723	
F-352	56x3	1.349	
F 0923	60x2	0.984	
NP-146	60x2.5	1.219	
F 1063	60x17.5	6.985	
F 0600	69.9x3.8	2.130	
F 0960	70x4	2.239	
F 0703	72x4	2.307	
F 0811	75x4	2.410	
NP-147	76x3	1.858	
M110	80x1.6	1.064	
F 0512	100x3	2,467	
GA-1353	124.75x2.2	2.287	
GA-1342	143.7x1.9	2.285	
GA-1342/A	144.75x2.2	2.66	
NP-052	160x3	3.99	



Oznaka profila	Dimenzija / a x b x s / mm	Teoretska težina kg/m	Napomena mm
F-1531	15x12x2	0.25	
F 0183	20x10x1.5	0.218	r <sub>1</sub> =r <sub>2</sub> =0.2
F-1564	20x10x1.5/2.5	0.256	
F-1563	25x10x1.5/2.5	0.297	
F 0959	30x10x2	0.39	
F 0182	30x15x1.5	0.340	r <sub>1</sub> =r <sub>2</sub> =0.2
NP-3146	30x20x1.2	0.295	r <sub>1</sub> =3; r=1.8
F 0197	30x20x2	0.496	
F-1324	33x100x2,5/3,5	1,98	
04-002-A	35x20x1.2	0.327	r <sub>1</sub> =3; r=1.8
NP-3400	35x20x1.5	0.421	
F 0514	35x20x2.5	0.675	
04-001-A	40x20x1.2	0.36	r <sub>1</sub> =3; r=1.8
F 1196	40x20x1.6	0,485	r <sub>1</sub> =1.7; r=0.5
F-1491	40x20x1.8	0.542	r <sub>1</sub> =1.7; r=0.5
F 0181	40x20x1,8	0.548	
F-1373	40x20x2	0,604	r=r <sub>1</sub> =0.2
F 0031	40x20x2	0.605	r=r <sub>1</sub> =0.5
NP-2715	40x25x3	0.900	r=2.5 r <sub>1</sub> =5,5
F 0032	40x30x2.5	0.877	r=r <sub>1</sub> =0.5
F 0481	40x30x3	1.036	
F-1636	40x120x4	3.283	R=0.2
F-1184	42x27x1.2	0.384	r=9.2
NP-546	45x25x1.2	0.438	
F 0493	50x20x1.5	0.543	
F 0198	50x20x2	0.713	
F 1039	50x20x3	1.03	
F 0489	50x25x2	0.766	
NP-884	50x25x3	1.11	r <sub>1</sub> =2
F-0489/A	50x25x4	1.447	
F 0033	50x30x2	0.821	r=r <sub>1</sub> =0.5
F 0034	50x30x2.5	1.011	r=r <sub>1</sub> =0.5
F 0485	50x40x2	0.930	
F 0485/A	50x40x2.5	1.147	
F 1033	50x60x4	2.2	



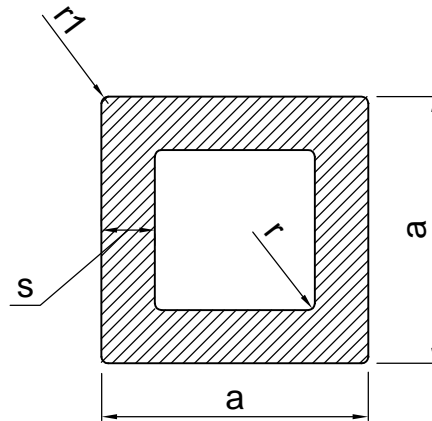
Oznaka profila	Dimenzija / a x b x s / mm	Teoretska težina kg/m	Napomena mm
NP-321	60x20x1.3	0.54	r <sub>1</sub> =2 ; r=0,7
F 0201	60x30x2	0.929	
F-1364	60x30x2.5	1.147	
F 1034	60x30x4	1.77	
F 0180	60x40x2	1.037	r=r <sub>1</sub> =0.2
F 0381	60x40x4	1.987	r=r <sub>1</sub> =5
NP-3239	60x50x4	2.201	r <sub>1</sub> =1
NP-719	61.9x24.9x1.3	0.571	r <sub>1</sub> =4 ; r=2.7
NP-999	64.4x25.4x1.2	0.51	r=2.3 r <sub>1</sub> =3.5
NP-720	67.9x24.9x1.3	0.613	r <sub>1</sub> =4 ; r=2.7
NP-731	67.9x24.9x1.6	0.750	r <sub>1</sub> =4 ; r=2.4
F 0320	70x25x2	0.937	r <sub>1</sub> =4 ; r=6
NP-320	71.5x20x1.3	0.63	r <sub>1</sub> =2.5 ; r=1.2
F 0941	80x20x1.5	0.786	r <sub>1</sub> =0.2
F 0441	80x30x2	1.150	r <sub>1</sub> =0.2
F 0441/A	80x30x3	1.685	
F 0176	80x40x2	1.253	r <sub>1</sub> =0.2
NP-896	80x40x4	2.42	r=r <sub>1</sub> =0.3
F 0688	80x50x1.8	1.229	r <sub>1</sub> =0.3
NP-897	80x50x4	2.64	r=r <sub>1</sub> =0.3
F-1368	80x60x2.5	1.804	r <sub>1</sub> =1; r=3
F 0380	90x60x4	3.067	r=r <sub>1</sub> =5
NP-2871	99.5x24.5x	1.482	
F-1365	100x20x1.3	0.824	
F 0202	100x20x1.8	1.131	
F 0492	100x25x1.5	1.032	r=1.5 ; r <sub>1</sub> =3
F-0300	100x25x1.75	1.148	
711 720	100x25x1.9	1.225	r <sub>1</sub> =3; r=1
NP-2762	100x25x1.8/2.2	1.209	r=1.2 r <sub>1</sub> =3
F 0177	100x30x2	1.361	r <sub>1</sub> =0.2
F-1324	100x33x2.5	1.98	



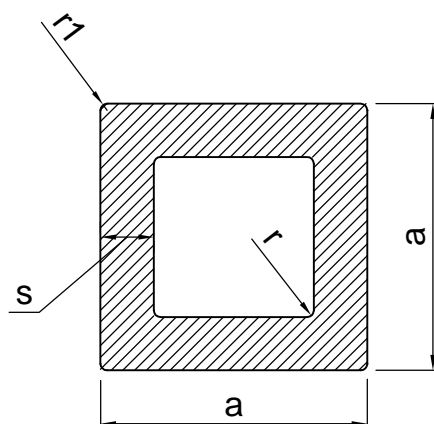
Oznaka profila	Dimenzija / $a \times b \times s$ / mm	Teoretska težina kg/m	Napomena mm
F 0203	100x50x2	1.577	
F 1037	100x50x3	2.33	
F 1032	100x50x4	3.06	
F 1030	100x50x5	3.78	
NP-3238	100x60x3	2.494	$r_1=0.5$
NP-895	100x60x4	3.28	$r=r_1=0.3$
NP-3237	100x75x3	2.47	$r_1=2.5$
NP-2870	106.2x31.2x2.8	1.992	
NP-2869	114.7x39.7x3.7	2.93	
NP-1139	120x25x1.9/3	1.56	$r=3$ $r_1=4$
NP-886	120x30x2.3/3.5	1.95	$r=3$ ; $r_1=4$
NP-2613	120x40x5	4.05	$r_1=0.5$
NP-2868	125.6x50.6x4.9	4.402	
NP-1442	150x40x2	2.001	
NP-129	150x50x2.5	2.632	$r=r_1=0.3$
NP-47	150x50x3	3.14	
F 1035	150x100x3	3.95	
NP-2656	200x30x2.5	3.038	
F-1570	200x50x4	5.227	$r=r_1=0.4$
F-1571	200x50x2.5	3.307	$r=r_1=0.4$
F-1574	200x50x2.2	2.917	$r=r_1=0.4$
NP-3617	200x100x5	7.83	$r_1=0.5$
NP-3615	250x100x5/14	13.554	$r_1=0.5$







Oznaka profila	Dimenzija / a x s / mm	Teoretska težina kg/m	Napomena mm
F-0025	10x1	0.097	r=0.5
F-0026	15x1.5	0.218	r=0.5
NP-549/A	20x1.1	0.207	r1=4; r=2.9
NP-549	20x1.2	0.225	r1=4; r=2.8
F-1374	20x2	0,388	r=0.2
F-0027	20x2	0.389	r=0.5
F-1363	20x3	0,551	r=0,3
F-1182	22x1.1	0.231	r=4
F-0028	25x1.5	0.381	r=0.5
F-0029	25x2	0.497	r=0.5
F-1002	30x1.2	0.373	
F-0030	30x2	0.605	r=0.5
F-0178	30x2	0.605	
F-0921	30x3	0.87	
NP-547	35x1.2	0.414	r1=5; r=3.8
NIZ-11	35x2	0.711	r=0.3
F-1180	37x1.2	0.44	r=5
NP-548	40x1.2	0.455	r1=9.2; r=8
NP-357	40x1.5	0.624	
F-0174	40x2	0.820	
F-0962	40x2.5	0.966	r1=5,r=2.5
F-0911	40x3	1.2	
F-0778	40x4	1.550	
NP-954	40.4x1.2	0.508	
F-1181	42x1.2	0.481	r1=9.2
F-0048/A	45x1.6	0.75	
F-0048	45x1.8	0.840	
F-1495	50x1.2	0.632	r=0.5;r1=0.5
F-0175	50x2	1.037	
F-1367	50x3	1,488	r1=4; r=1



Oznaka profila	Dimenzija / a x s / mm	Teoretska težina kg/m	Napomena mm
F-0912	50x3	1.52	
NP-1221	50x4	1.978	r=2
F-0913	60x2	1.25	
F-0937	60x3	1.84	
F-0945	60x4	2.42	r=2.5
F-0511	65x2.5	1.688	
F-1084	80x2.5	2.093	
NP-1528	80x3	2.486	r <sub>1</sub> =2
NP-938	80x3	2.446	r <sub>1</sub> =5; r=2
F-1083	80x4	3.28	
NP-893	80x5	4.05	r <sub>1</sub> =r=0.3
F-1036	100x3	3.14	
F-1031	100x4	4.14	
F-1369	100x4	3,973	r <sub>1</sub> =10; r=5
F-1079	100x5	5.13	
NP-3616	100x8	7.95	r <sub>1</sub> =r=0.5
NP-204	120x2	2.54	
NP-205	120x3	3.8	
NP-3236	120x4	4.895	r <sub>1</sub> =7.5;r=2.5
F-1366	120x4	5,011	r=0.3
F-1080	120x5	6.21	
NP-203	140x3	4.43	
NP-202	140x4	5.87	
NP-3609	150x5	7.83	r <sub>1</sub> =r=0.5